



INTEGRITY
ARCHITECTURAL
MILLWORK, INC.

Quality Architectural
Wood Products

2503 Taylor Street
Omaha, NE 68111

(402) 451-4110

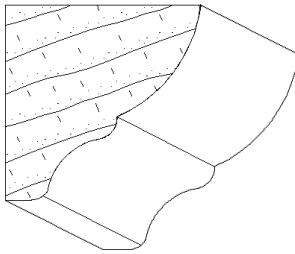


Crown Mouldings

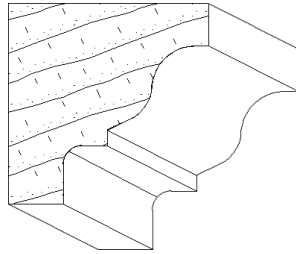
Solid wood crown moulding adds so much visual interest to a room! Integrity Architectural Millwork has hundreds of crown moulding profiles available and prepares all millwork to your specifications. Maple, Birch, Cherry, Red Oak and Poplar are kept on hand while hundreds, if not thousands, of other wood species can also be ordered.

Sizes: [1 inch](#) | [2 inch](#) | [3 inch](#) | [4 inch](#) | [5 inch](#) | [6 inch](#) | [7+ inch](#)

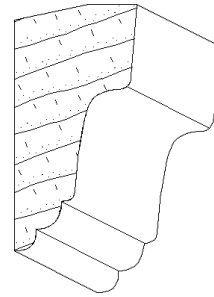
1" Crown Moulding



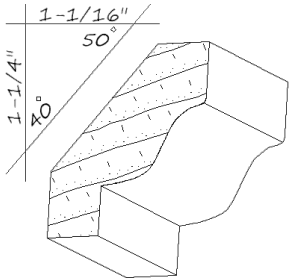
IH-1644
1 x 1
crown_moulding



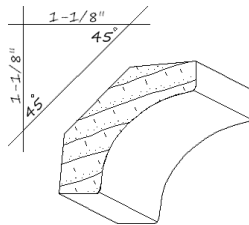
IH-1624
1-1/8 x 1-1/8
crown_moulding



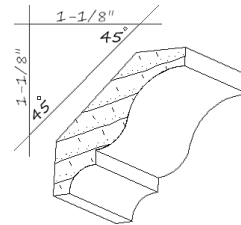
IH-675
3/4 x 1-1/2
crown_moulding



IH-682
1/2 x 1-5/8
crown_moulding



IH-688
9/16 x 1-5/8
crown_moulding



IH-1607
3/8 x 1-5/8
crown_moulding

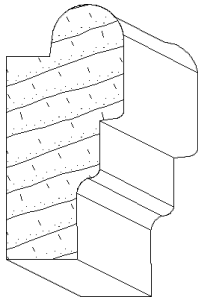


INTEGRITY
ARCHITECTURAL
MILLWORK, INC.

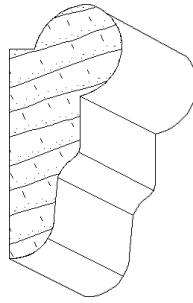
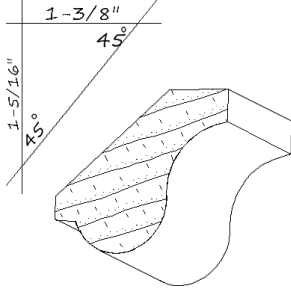
Quality Architectural
Wood Products

2503 Taylor Street
Omaha, NE 68111

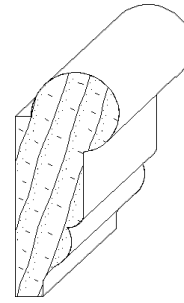
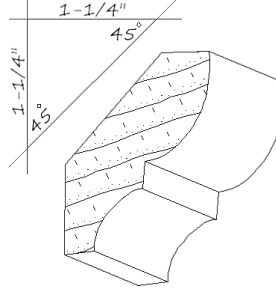
(402) 451-4110



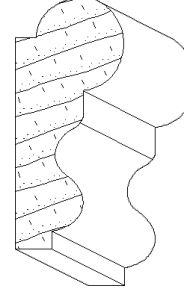
IH-1618
3/4 x 1-5/8
crown_moulding



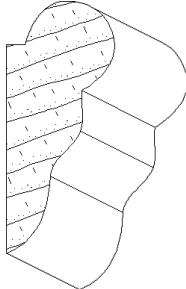
IH-1639
3/4 x 1-11/16
crown_moulding



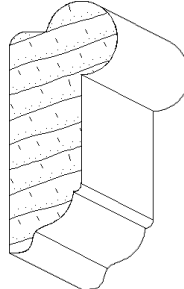
IH-1652
25/32 x 1-11/16
crown_moulding



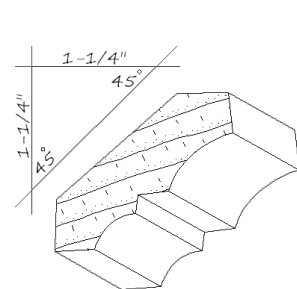
IH-1654
3/4 x 1-11/16
crown_moulding



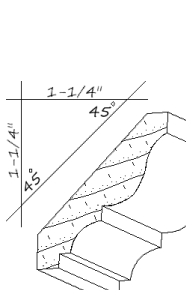
IH-617
9/16 x 1-3/4
crown_moulding



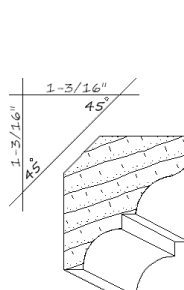
IH-619
3/4 x 1-3/4
crown_moulding



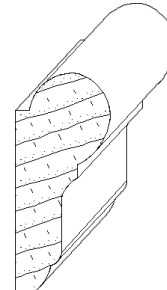
IH-624
3/4 x 1-3/4
crown_moulding



IH-626
3/4 x 1-3/4
crown_moulding



IH-653
1/2 x 1-3/4
crown_moulding



IH-687
3/8 x 1-3/4
crown_moulding



IH-1605
3/4 x 1-3/4
crown_moulding



IH-1643
3/4 x 1-3/4
crown_moulding

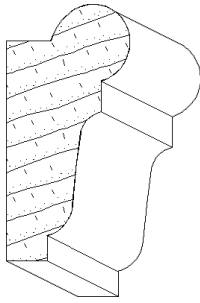


INTEGRITY
ARCHITECTURAL
MILLWORK, INC.

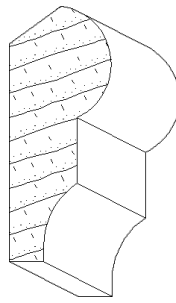
Quality Architectural
Wood Products

2503 Taylor Street
Omaha, NE 68111

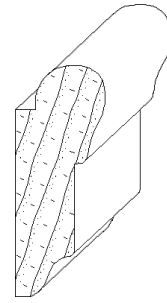
(402) 451-4110



IH-1640
3/4 x 1-13/16
crown_moulding



IH-1625
3/4 x 1-7/8
crown_moulding



IH-1651
3/4 x 1-15/16
crown_moulding



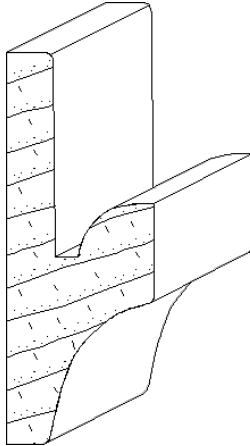
INTEGRITY
ARCHITECTURAL
MILLWORK, INC.

Quality Architectural
Wood Products

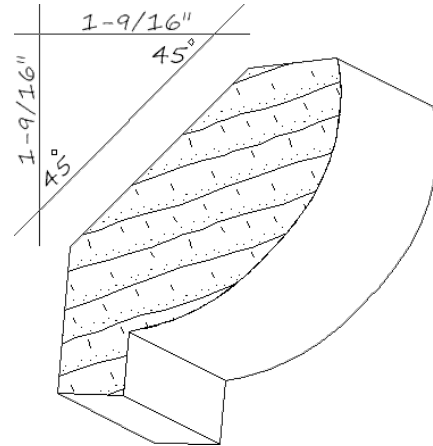
2503 Taylor Street
Omaha, NE 68111

(402) 451-4110

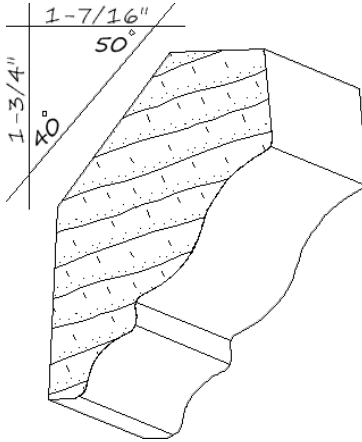
2" Crown Moulding



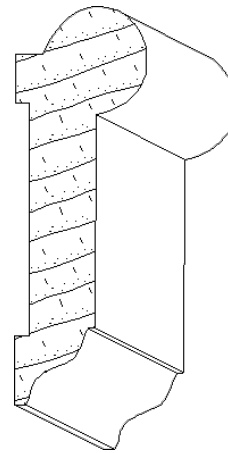
IH-677
3/4 x 2
crown_moulding



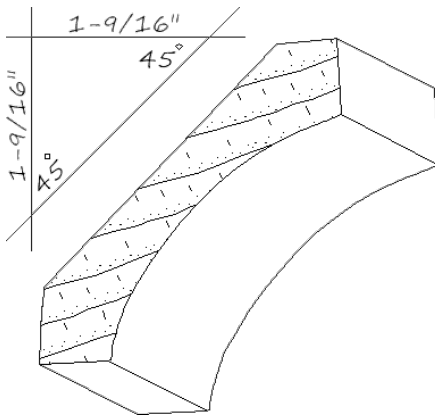
IH-605
3/4 x 2-1/4
crown_moulding



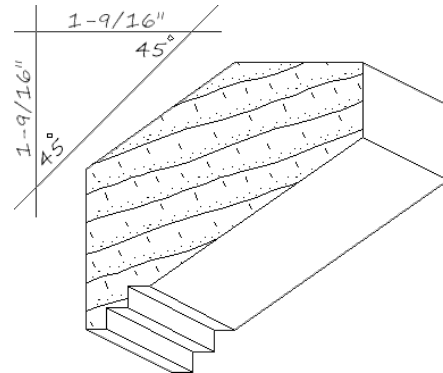
IH-618
3/4 x 2-1/4
crown_moulding



IH-627
3/4 x 2-1/4
crown_moulding



IH-692
1/2 x 2-1/4
crown_moulding



IH-1628
13/16 x 2-1/4
crown_moulding

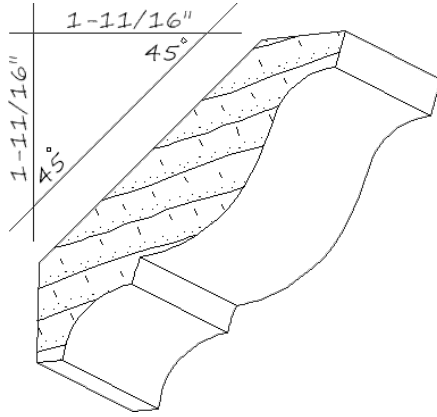


INTEGRITY
ARCHITECTURAL
MILLWORK, INC.

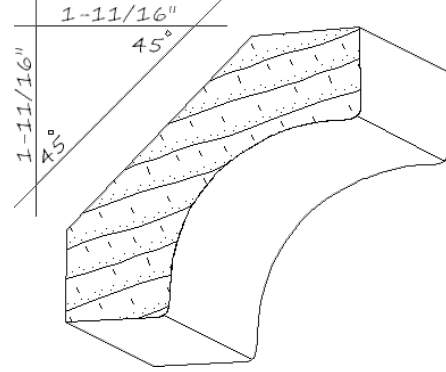
Quality Architectural
Wood Products

2503 Taylor Street
Omaha, NE 68111

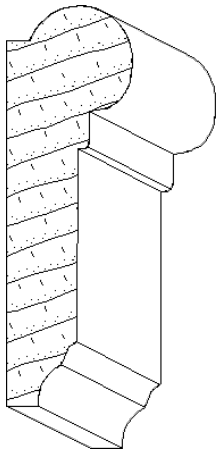
(402) 451-4110



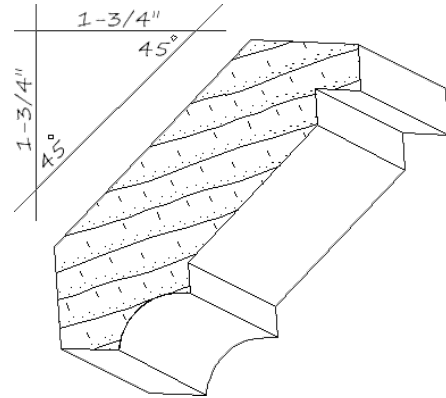
IH-620
1/2 x 2-3/8
crown_moulding



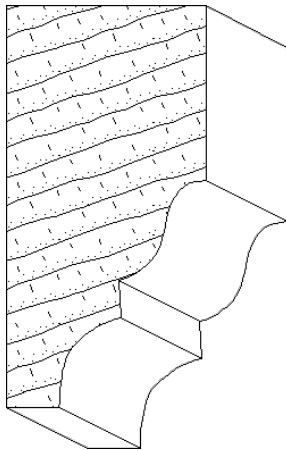
IH-669
3/4 x 2-3/8
crown_moulding



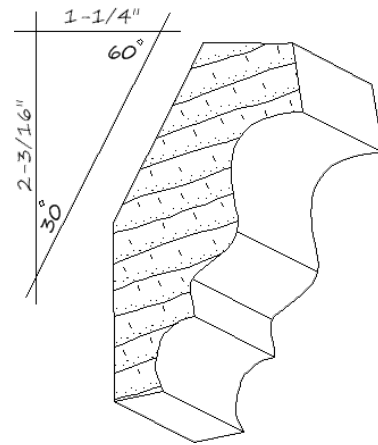
IH-1632
3/4 x 2-3/8
crown_moulding



IH-658
3/4 x 2-7/16
crown_moulding



IH-672
1-1/4 x 2-1/2
crown_moulding



IH-681
3/4 x 2-1/2
crown_moulding

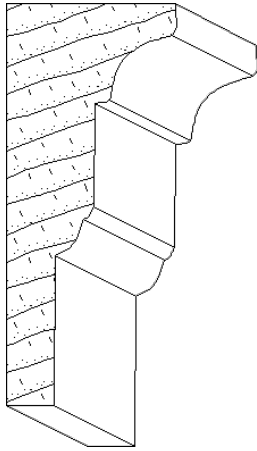


INTEGRITY
ARCHITECTURAL
MILLWORK, INC.

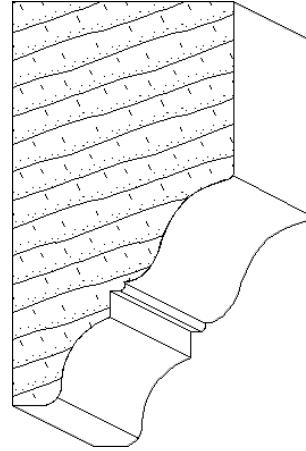
Quality Architectural
Wood Products

2503 Taylor Street
Omaha, NE 68111

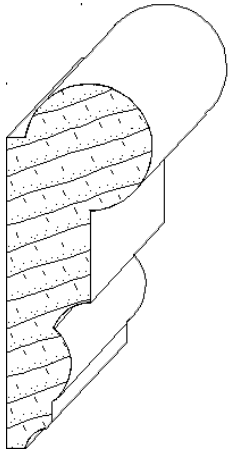
(402) 451-4110



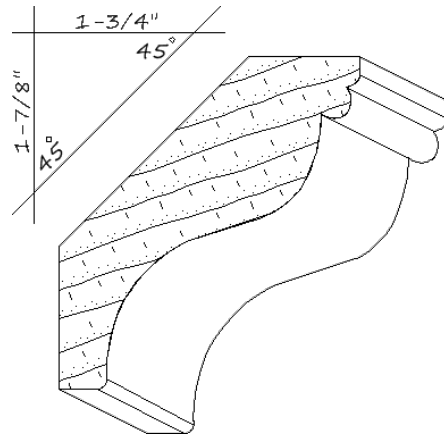
IH-685
1-1/16 x 2-1/2
crown_moulding



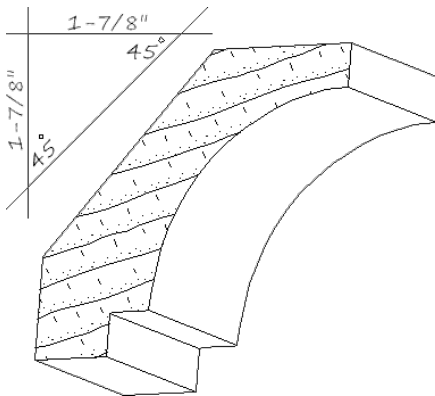
IH-1656
1-3/8 x 2-1/2
crown_moulding



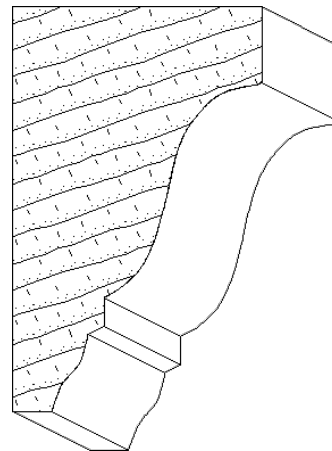
IH-1659
1 x 2-1/2
crown_moulding



IH-1646
3/4 x 2-9/16
crown_moulding



IH-625
3/4 x 2-5/8
crown_moulding



IH-697
1-5/8 x 2-5/8
crown_moulding

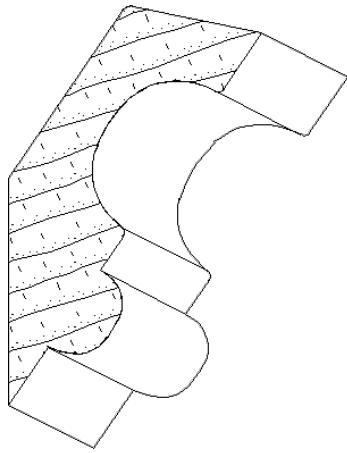


INTEGRITY
ARCHITECTURAL
MILLWORK, INC.

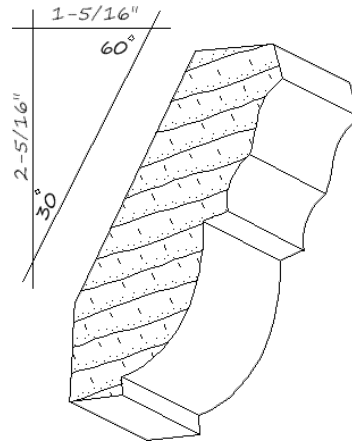
Quality Architectural
Wood Products

2503 Taylor Street
Omaha, NE 68111

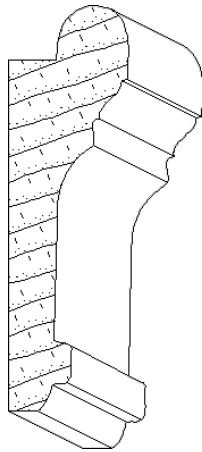
(402) 451-4110



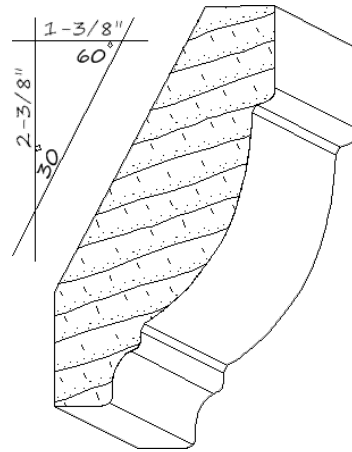
IH-1612
1 x 2-5/8
crown_moulding



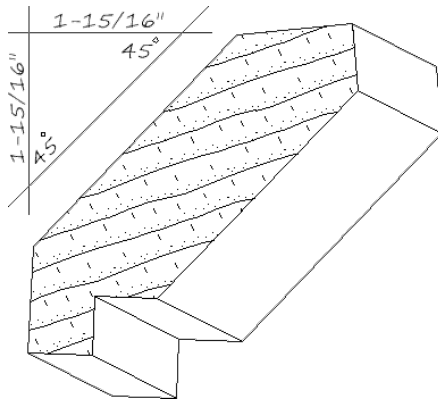
IH-655
11/16 x 2-11/16
crown_moulding



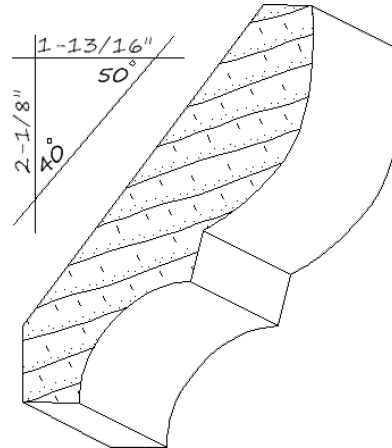
IH-601
13/16 x 2-3/4
crown_moulding



IH-629
3/4 x 2-3/4
crown_moulding



IH-684
3/4 x 2-3/4
crown_moulding



IH-628
5/8 x 2-13/16
crown_moulding

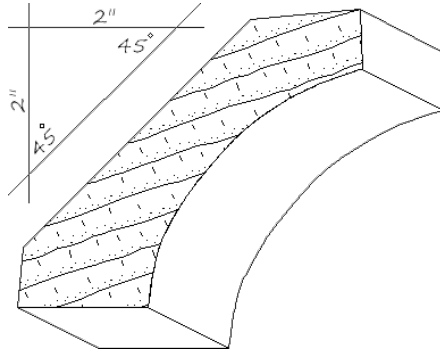


INTEGRITY
ARCHITECTURAL
MILLWORK, INC.

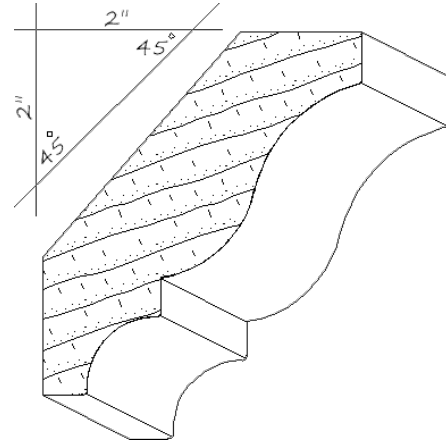
Quality Architectural
Wood Products

2503 Taylor Street
Omaha, NE 68111

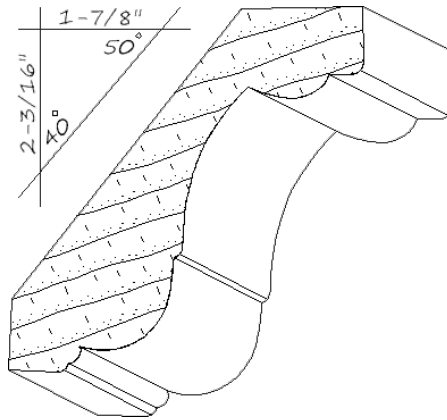
(402) 451-4110



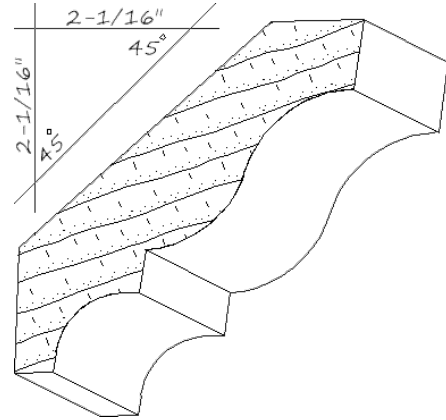
IH-691
13/16 x 2-13/16
crown_moulding



IH-1619
3/4 x 2-13/16
crown_moulding



IH-623
3/4 x 2-7/8
crown_moulding



IH-1604
11/16 x 2-15/16
crown_moulding



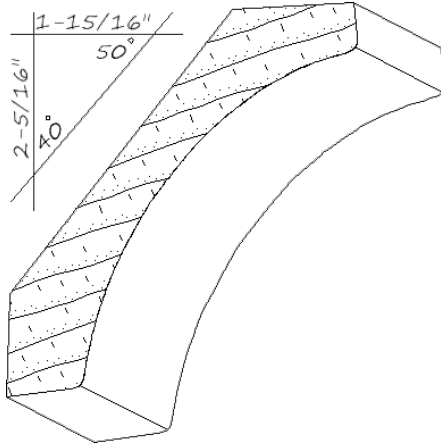
INTEGRITY
ARCHITECTURAL
MILLWORK, INC.

Quality Architectural
Wood Products

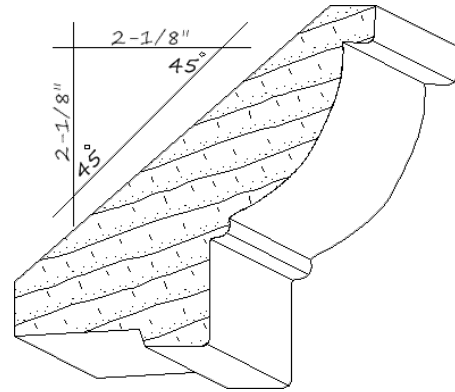
2503 Taylor Street
Omaha, NE 68111

(402) 451-4110

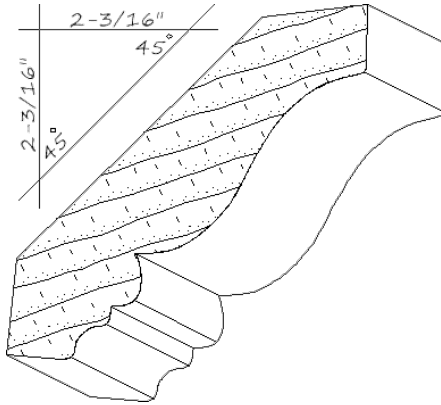
3" Crown Moulding



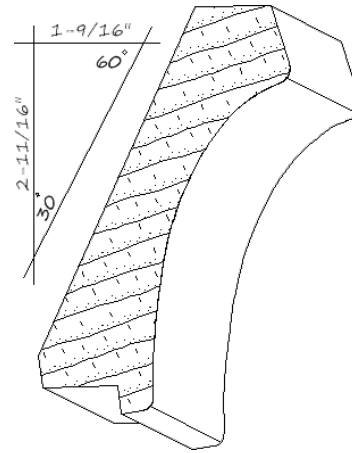
IH-603
11/16 x 3
crown_moulding



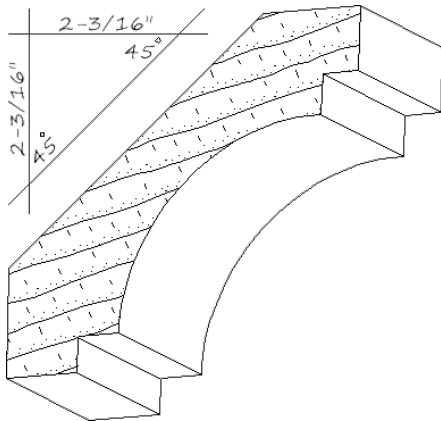
IH-609
1-1/16 x 3
crown_moulding



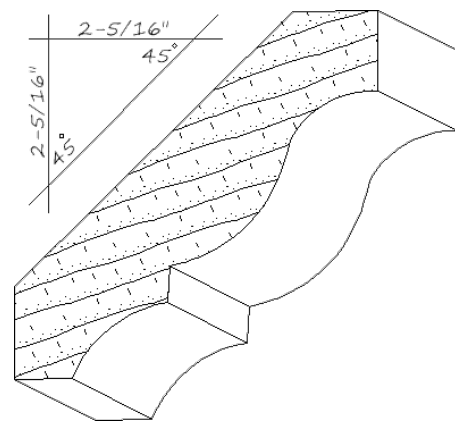
IH-612
11/16 x 3-1/16
crown_moulding



IH-616
7/8 x 3-1/8
crown_moulding



IH-635
3/4 x 3-1/8
crown_moulding



IH-630
3/4 x 3-1/4
crown_moulding

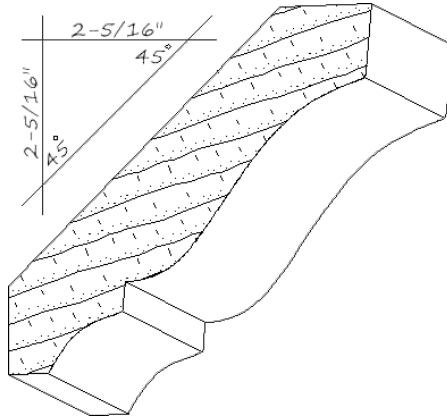


INTEGRITY
ARCHITECTURAL
MILLWORK, INC.

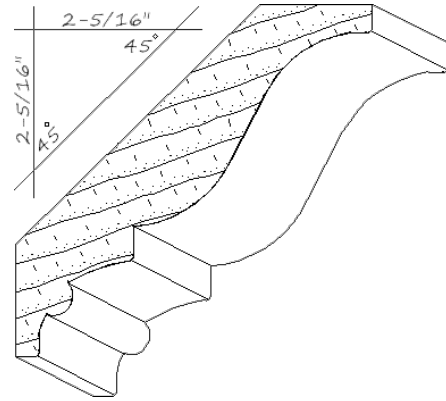
Quality Architectural
Wood Products

2503 Taylor Street
Omaha, NE 68111

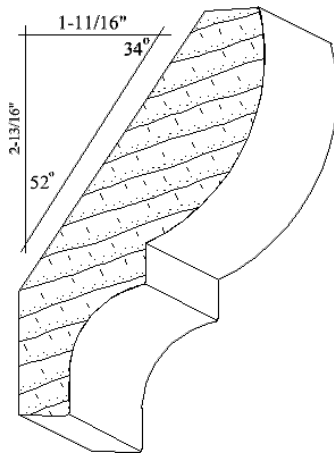
(402) 451-4110



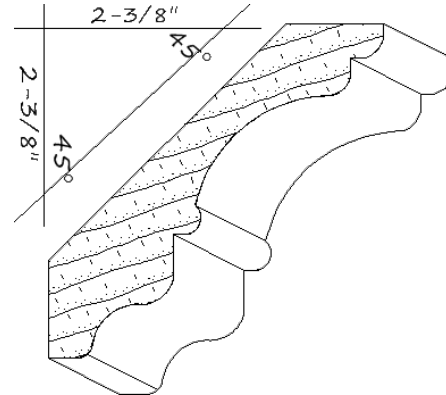
IH-632
11/16 x 3-1/4
crown_moulding



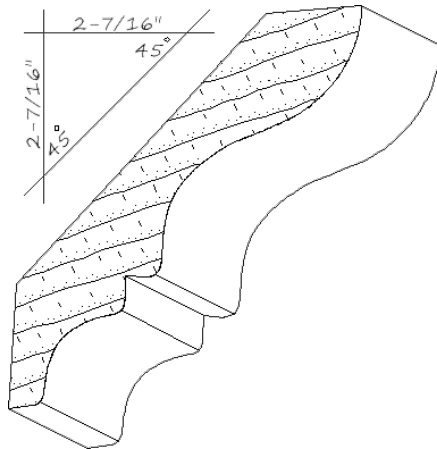
IH-644
5/8 x 3-1/4
crown_moulding



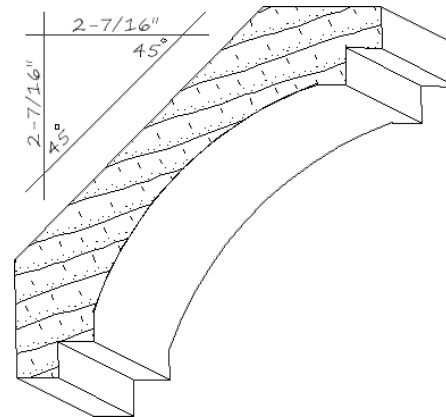
IH-1657
3/4 x 3-1/4
crown_moulding



IH-1658
3/4 x 3-3/8
crown_moulding



IH-636
5/8 x 3-7/16
crown_moulding



IH-1601
3/4 x 3-7/16
crown_moulding

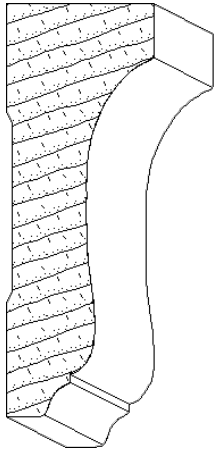


INTEGRITY
ARCHITECTURAL
MILLWORK, INC.

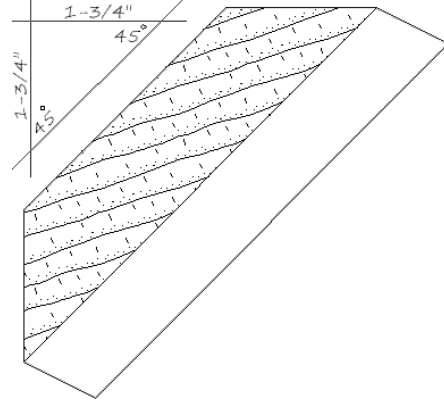
Quality Architectural
Wood Products

2503 Taylor Street
Omaha, NE 68111

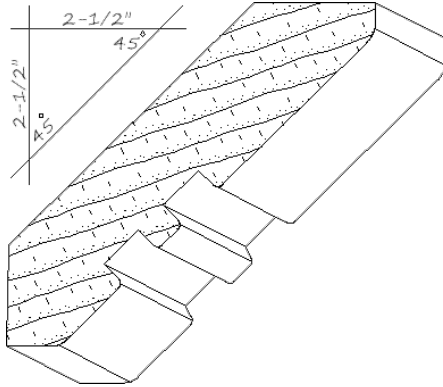
(402) 451-4110



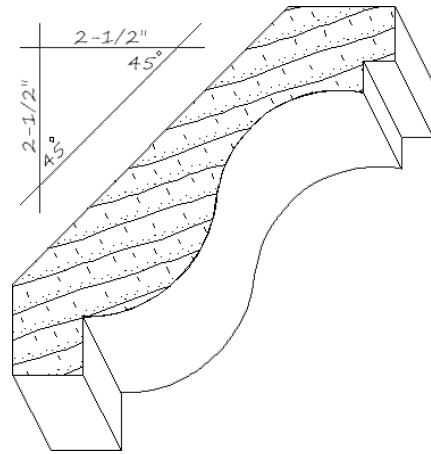
IH-638
1-1/4 x 3-1/2
crown_moulding



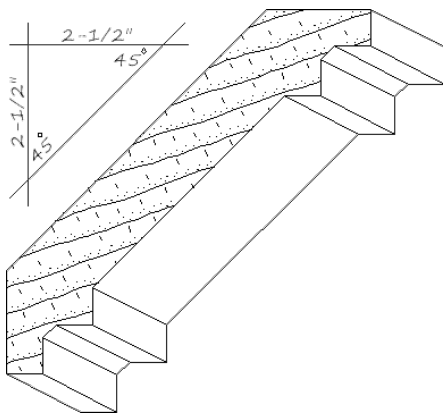
IH-641
3/4 x 3-1/2
crown_moulding



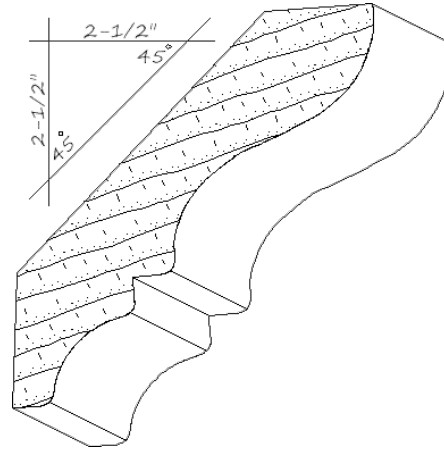
IH-643
3/4 x 3-1/2
crown_moulding



IH-1622
3/4 x 3-1/2
crown_moulding



IH-1633
11/16 x 3-1/2
crown_moulding



IH-610
3/4 x 3-9/16
crown_moulding

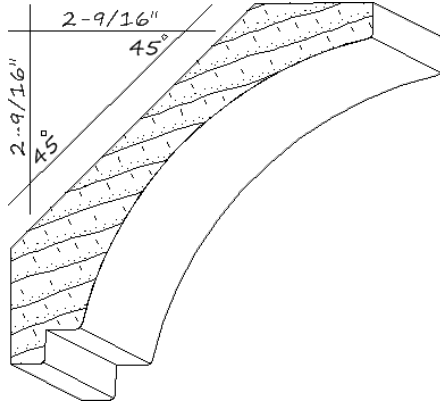


INTEGRITY
ARCHITECTURAL
MILLWORK, INC.

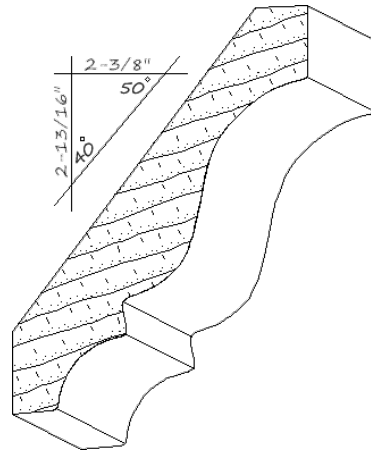
Quality Architectural
Wood Products

2503 Taylor Street
Omaha, NE 68111

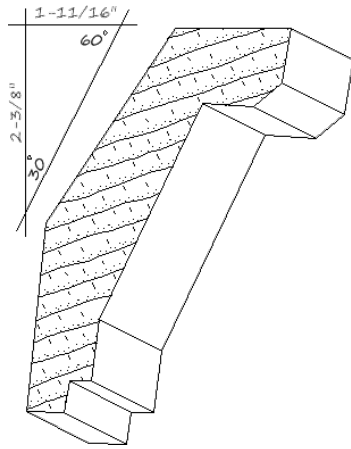
(402) 451-4110



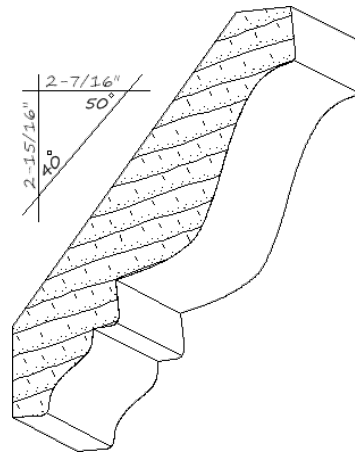
IH-1650
3/4 x 3-5/8
crown_moulding



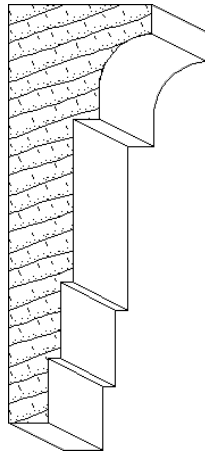
IH-600
11/16 x 3-11/16
crown_moulding



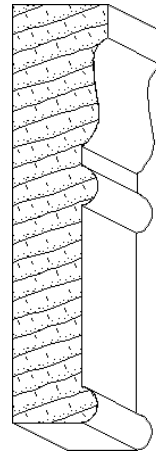
IH-666
1 x 3-3/4
crown_moulding



IH-613
3/4 x 3-13/16
crown_moulding



IH-1642
1-5/16 x 3-13/16
crown_moulding



IH-1649
7/8 x 3-13/16
crown_moulding

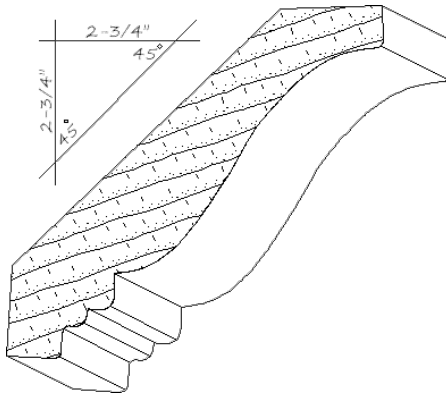


INTEGRITY
ARCHITECTURAL
MILLWORK, INC.

Quality Architectural
Wood Products

2503 Taylor Street
Omaha, NE 68111

(402) 451-4110



IH-696

3/4 x 3-7/8
crown_moulding



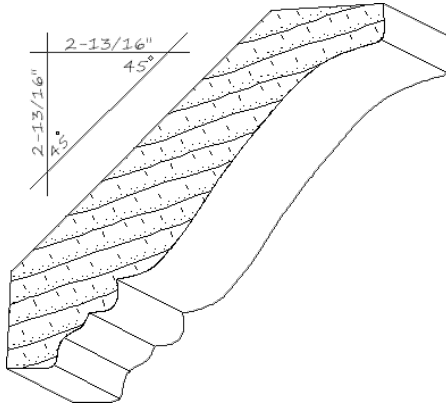
INTEGRITY
ARCHITECTURAL
MILLWORK, INC.

Quality Architectural
Wood Products

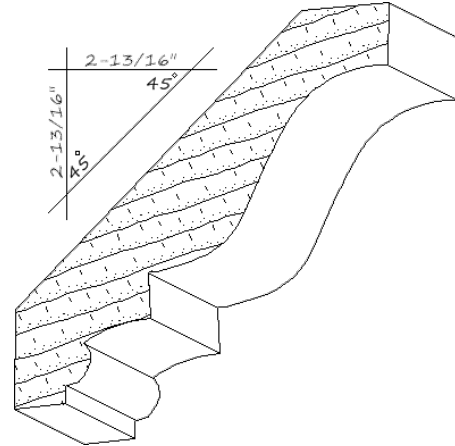
2503 Taylor Street
Omaha, NE 68111

(402) 451-4110

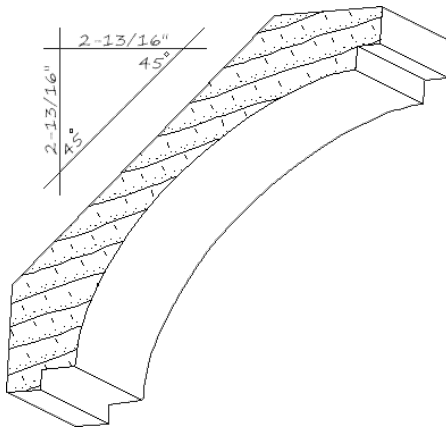
4" Crown Moulding



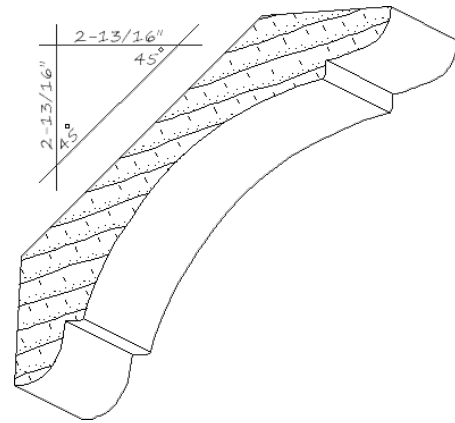
IH-621
3/4 x 4
crown_moulding



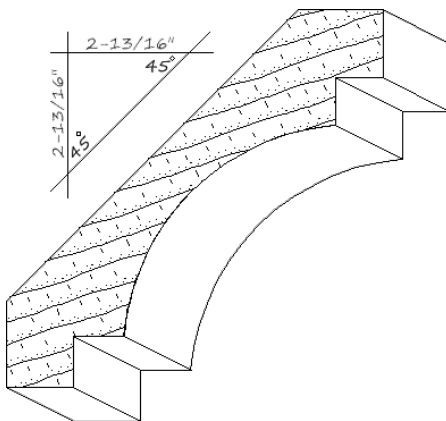
IH-640
3/4 x 4
crown_moulding



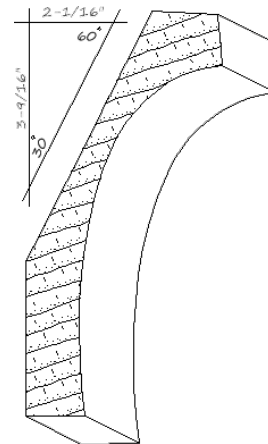
IH-657
3/4 x 4
crown_moulding



IH-686
3/4 x 4
crown_moulding



IH-1609
13/16 x 4
crown_moulding



IH-693
1-1/8 x 4-1/8
crown_moulding

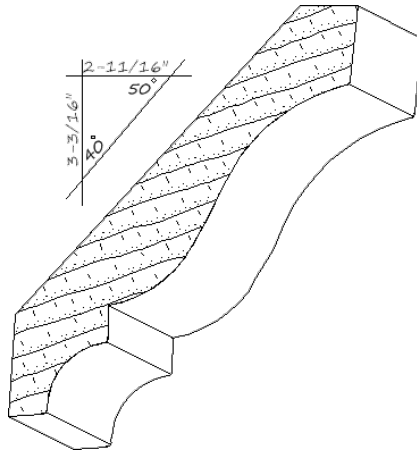


INTEGRITY
ARCHITECTURAL
MILLWORK, INC.

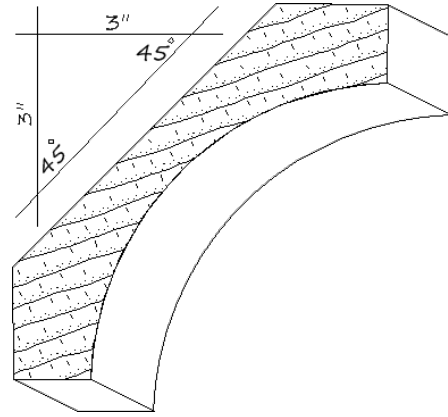
Quality Architectural
Wood Products

2503 Taylor Street
Omaha, NE 68111

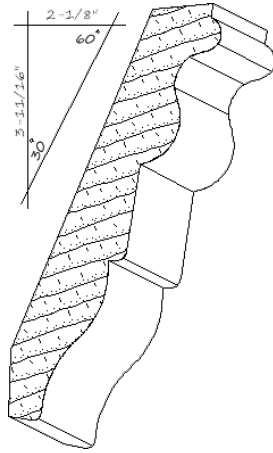
(402) 451-4110



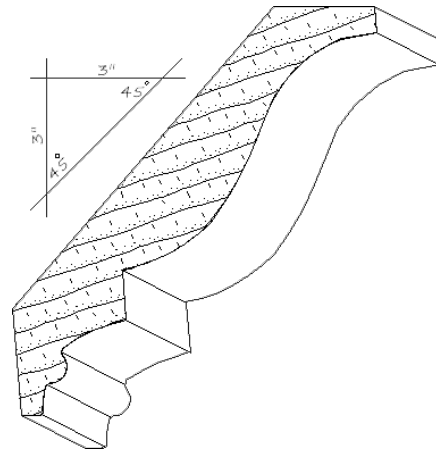
IH-1626
1 1/16 x 4-3/16
crown_moulding



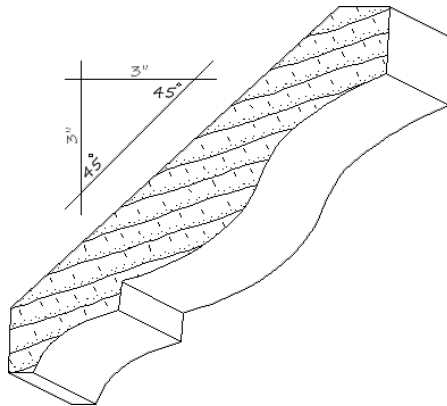
IH-1645
1-1/16 x 4-3/16
crown_moulding



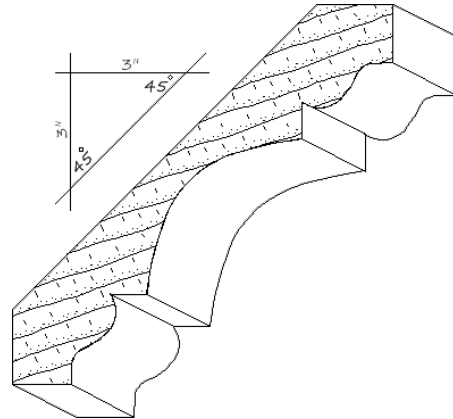
IH-639
1 1/16 x 4-1/4
crown_moulding



IH-642
3/4 x 4-1/4
crown_moulding



IH-645
1 1/16 x 4-1/4
crown_moulding



IH-659
3/4 x 4-1/4
crown_moulding

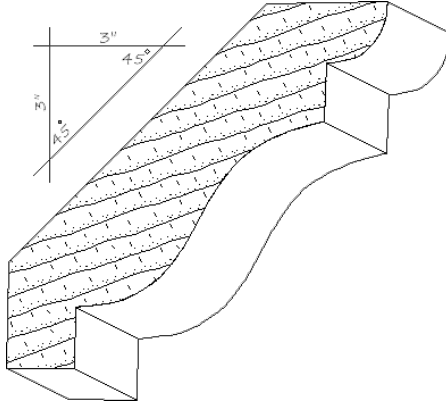


INTEGRITY
ARCHITECTURAL
MILLWORK, INC.

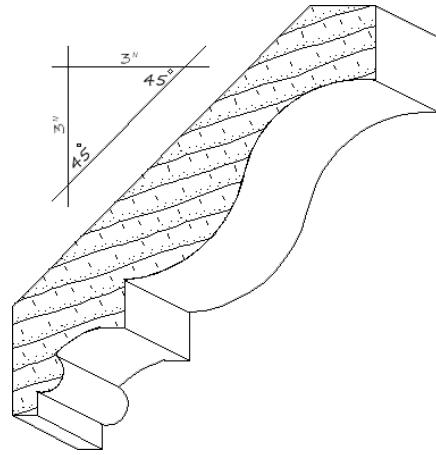
Quality Architectural
Wood Products

2503 Taylor Street
Omaha, NE 68111

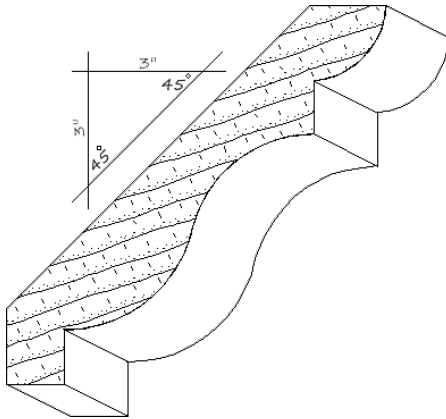
(402) 451-4110



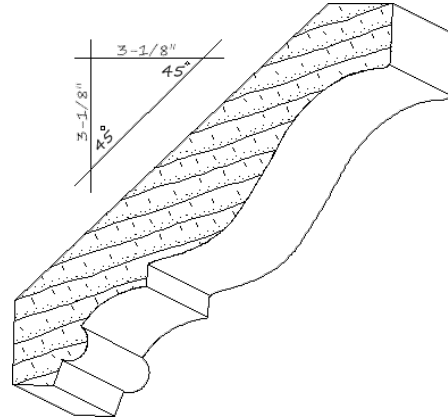
IH-695
1 x 4-1/4
crown_moulding



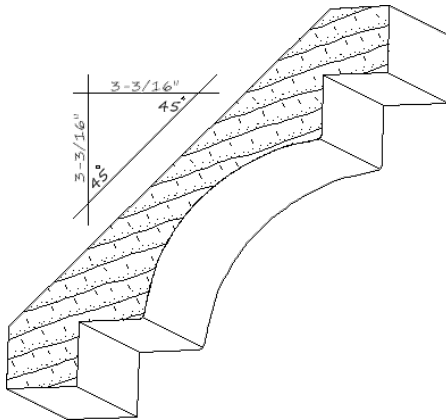
IH-1603
5/8 x 4-1/4
crown_moulding



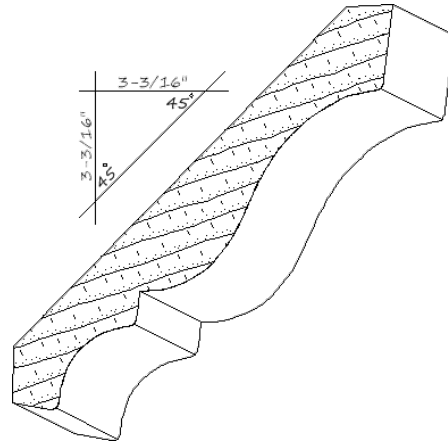
IH-1621
3/4 x 4-1/4
crown_moulding



IH-608
3/4 x 4-3/8
crown_moulding



IH-652
3/4 x 4-1/2
crown_moulding



IH-683
11/16 x 4-1/2
crown_moulding

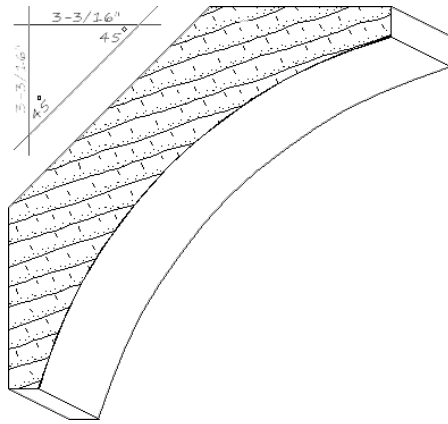


INTEGRITY
ARCHITECTURAL
MILLWORK, INC.

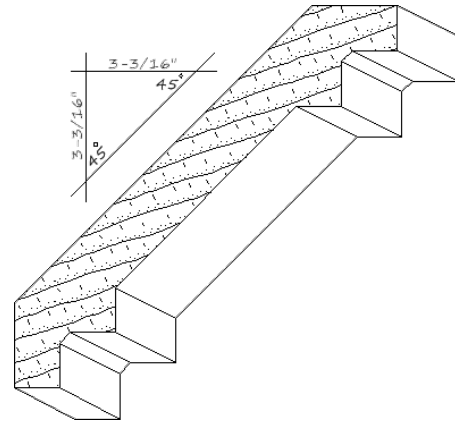
Quality Architectural
Wood Products

2503 Taylor Street
Omaha, NE 68111

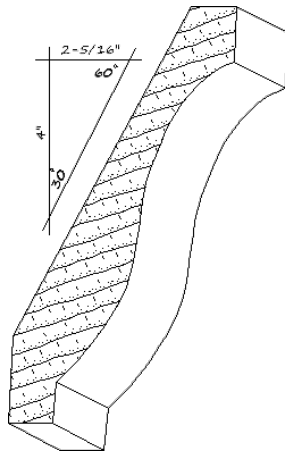
(402) 451-4110



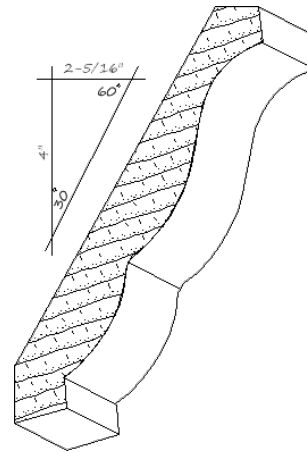
IH-1631
1-1/4 x 4-1/2
crown_moulding



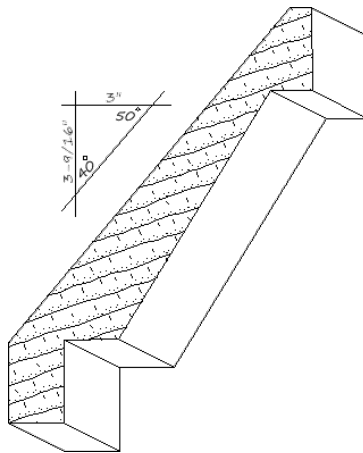
IH-1634
3/4 x 4-1/2
crown_moulding



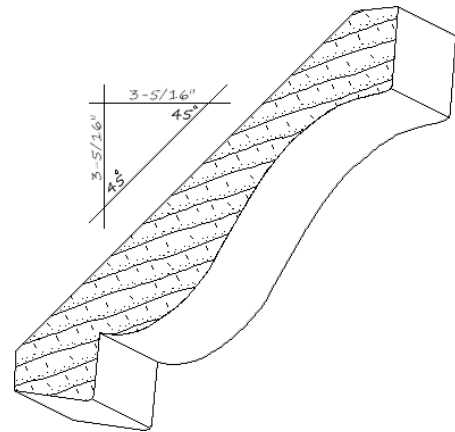
IH-647
3/4 x 4-5/8
crown_moulding



IH-1600
5/8 x 4-5/8
crown_moulding



IH-1616
7/8 x 4-5/8
crown_moulding



IH-615
3/4 x 4-11/16
crown_moulding

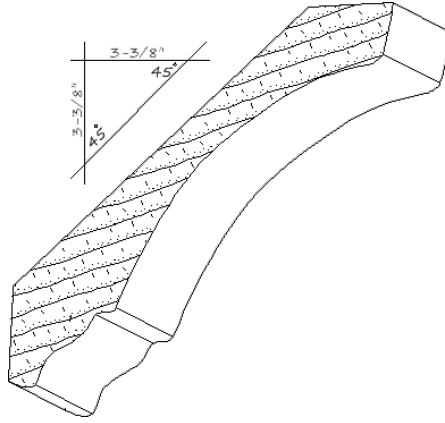


INTEGRITY
ARCHITECTURAL
MILLWORK, INC.

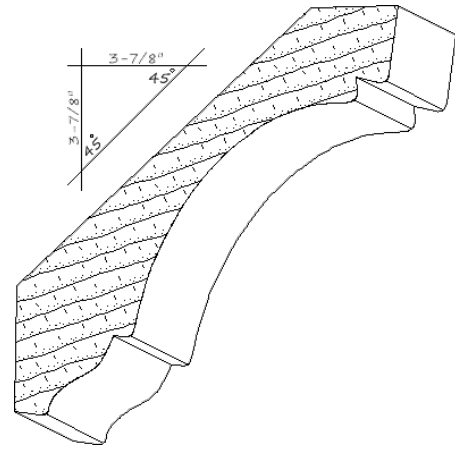
Quality Architectural
Wood Products

2503 Taylor Street
Omaha, NE 68111

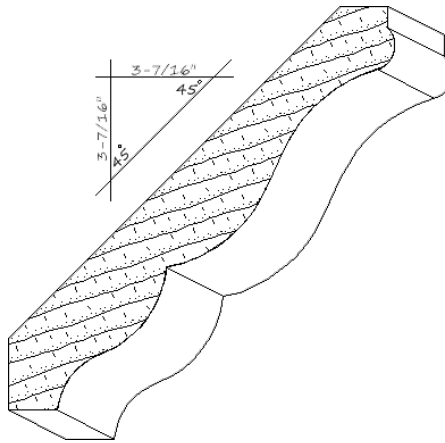
(402) 451-4110



IH-606
3/4 x 4-3/4
crown_moulding



IH-667
1 x 4-7/8
crown_moulding



IH-1623
3/4 x 4-7/8
crown_moulding



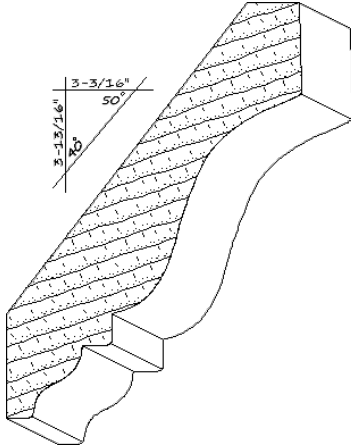
INTEGRITY
ARCHITECTURAL
MILLWORK, INC.

Quality Architectural
Wood Products

2503 Taylor Street
Omaha, NE 68111

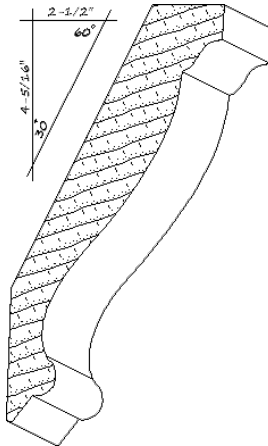
(402) 451-4110

5" Crown Moulding



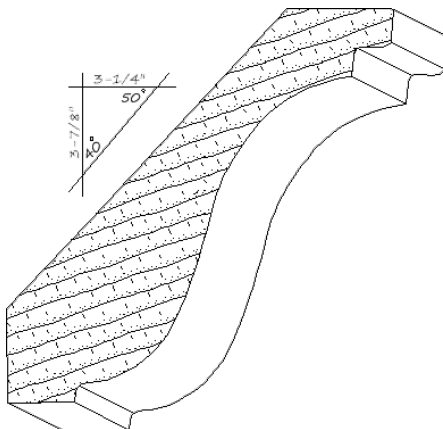
IH-637

1 x 5
crown_moulding



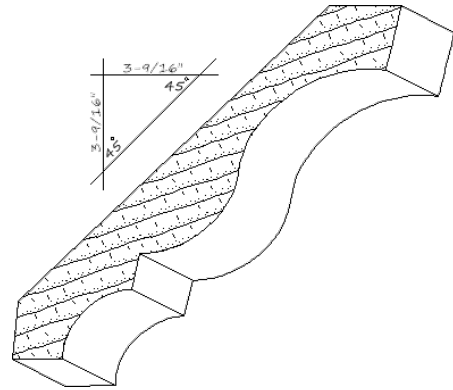
IH-664

7/8 x 5
crown_moulding



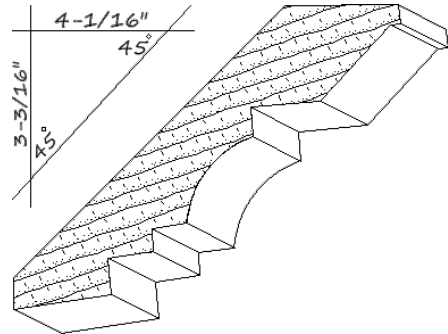
IH-698

1-1/4 x 5-1/16
crown_moulding



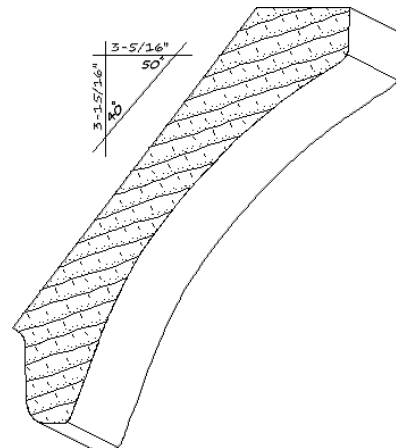
IH-650

13/16 x 5
crown_moulding



IH-1602

1 x 5-1/8
crown_moulding



IH-660

1 x 5-1/8
crown_moulding

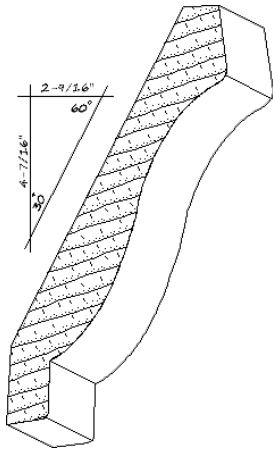


INTEGRITY
ARCHITECTURAL
MILLWORK, INC.

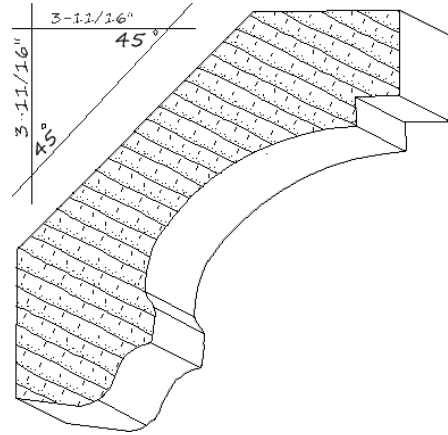
Quality Architectural
Wood Products

2503 Taylor Street
Omaha, NE 68111

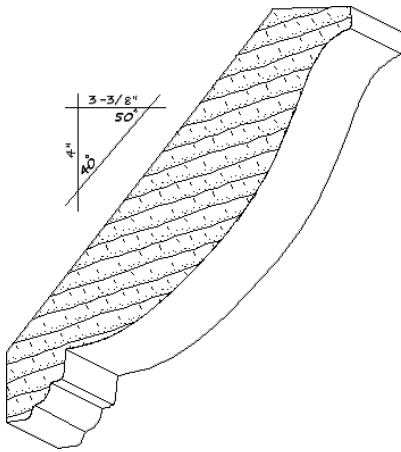
(402) 451-4110



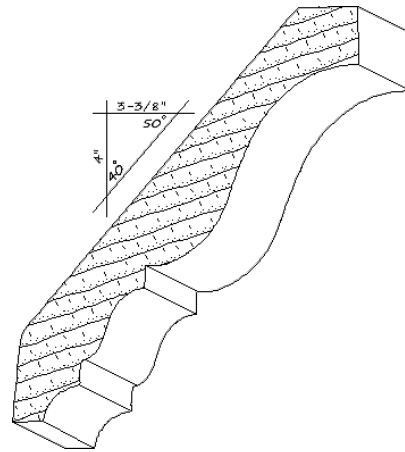
IH-690
3/4 x 5-1/8
crown_moulding



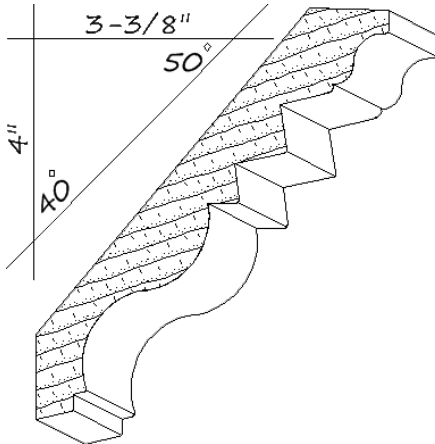
IH-1617
1-9/16 x 5-3/16
crown_moulding



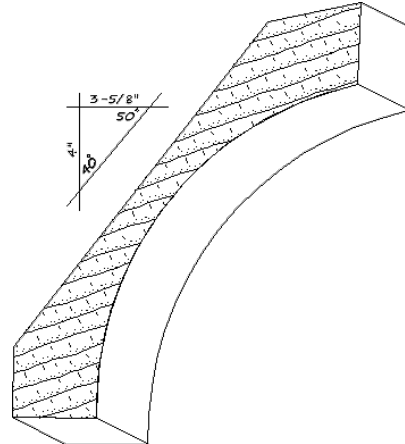
IH-633
1 x 5-1/4
crown_moulding



IH-673
13/16 x 5-1/4
crown_moulding



IH-1610
3/4 x 5-1/4
crown_moulding



IH-1636
1-1/16 x 5-1/4
crown_moulding

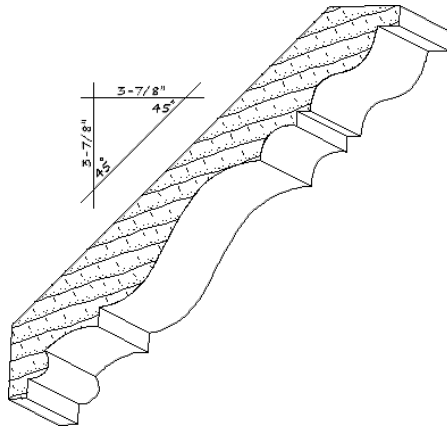


INTEGRITY
ARCHITECTURAL
MILLWORK, INC.

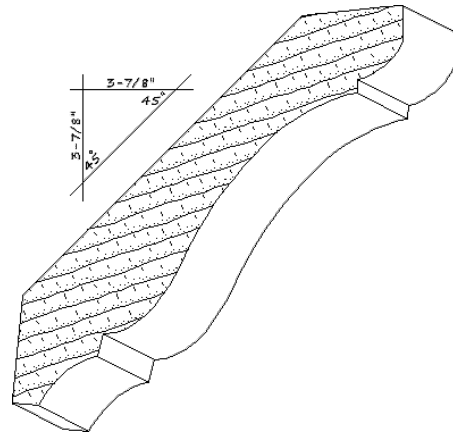
Quality Architectural
Wood Products

2503 Taylor Street
Omaha, NE 68111

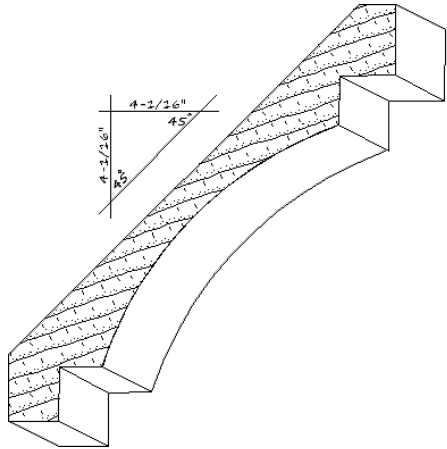
(402) 451-4110



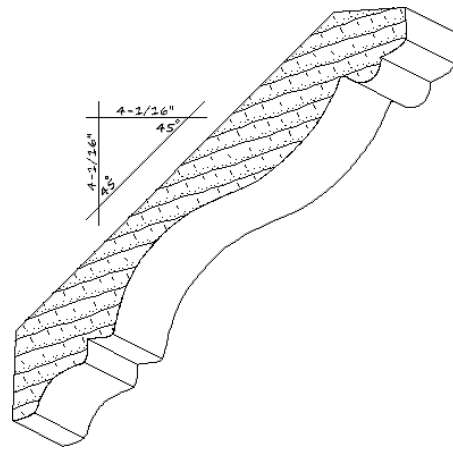
IH-648
5/8 x 5-1/2
crown_moulding



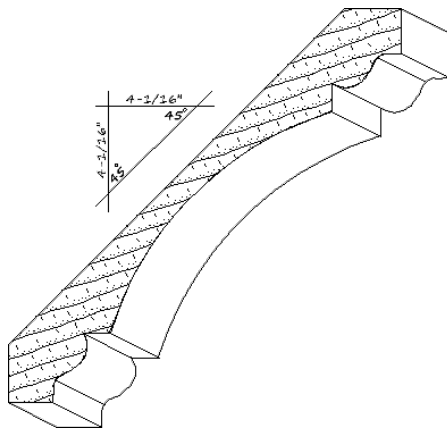
IH-662
1 x 5-1/2
crown_moulding



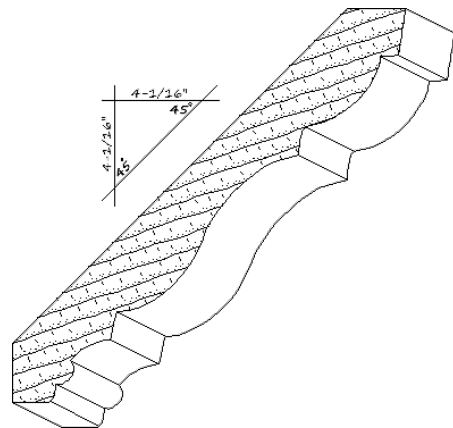
IH-646
13/16 x 5-3/4
crown_moulding



IH-656
3/4 x 5-3/4
crown_moulding



IH-661
3/4 x 5-3/4
crown_moulding



IH-663
3/4 x 5-3/4
crown_moulding

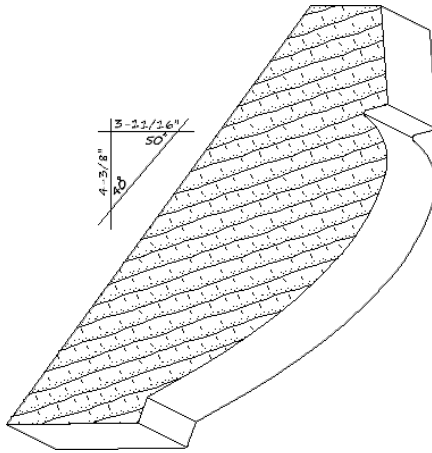


INTEGRITY
ARCHITECTURAL
MILLWORK, INC.

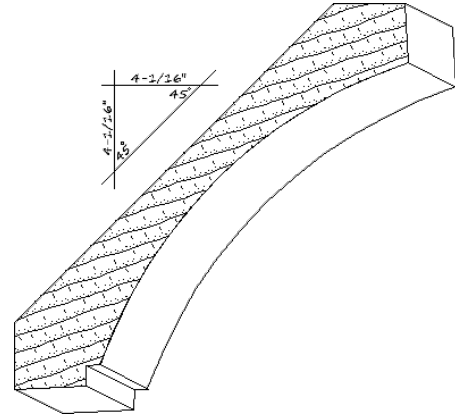
Quality Architectural
Wood Products

2503 Taylor Street
Omaha, NE 68111

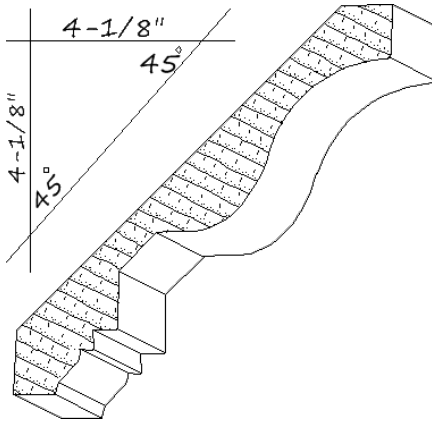
(402) 451-4110



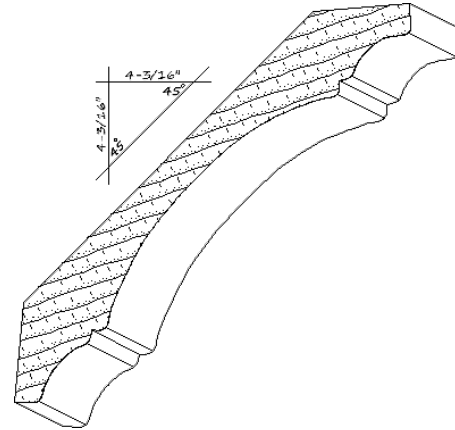
IH-1615
1-3/4 x 5-3/4
crown_moulding



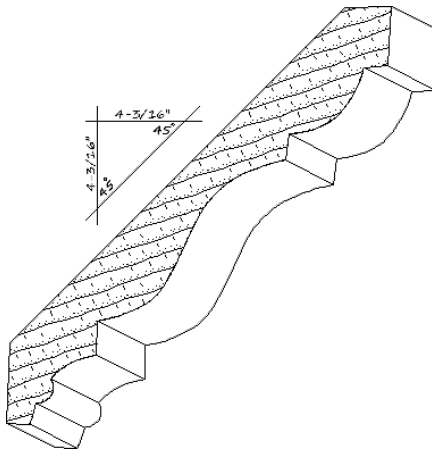
IH-1627
1 x 5-3/4
crown_moulding



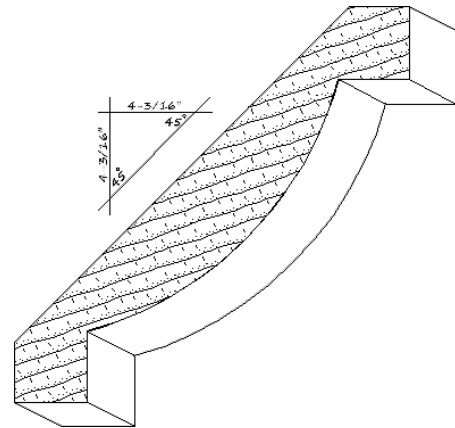
IH-1637
3/4 x 5-3/4
crown_moulding



IH-614
7/8 x 5-15/16
crown_moulding



IH-668
3/4 x 5-15/16
crown_moulding



IH-1638
1 x 5-15/16
crown_moulding



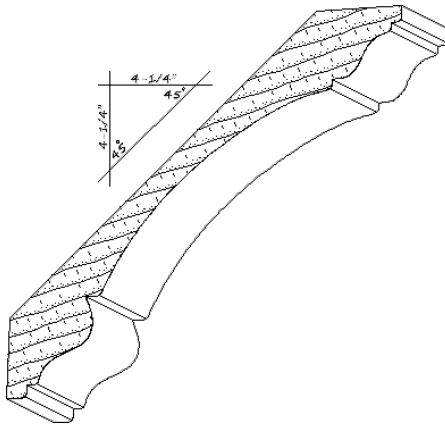
INTEGRITY
ARCHITECTURAL
MILLWORK, INC.

Quality Architectural
Wood Products

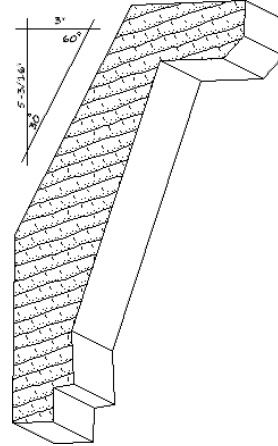
2503 Taylor Street
Omaha, NE 68111

(402) 451-4110

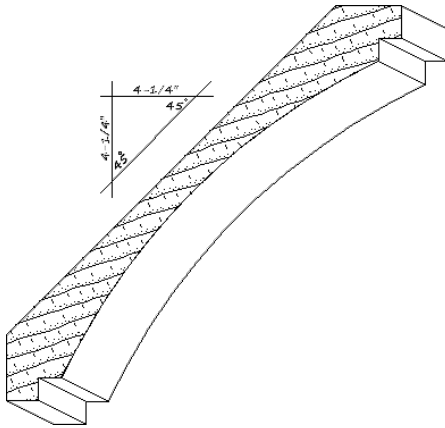
6" Crown Moulding



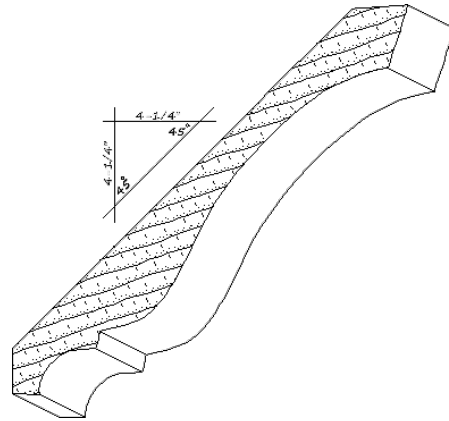
IH-622
3/4 x 6
crown_moulding



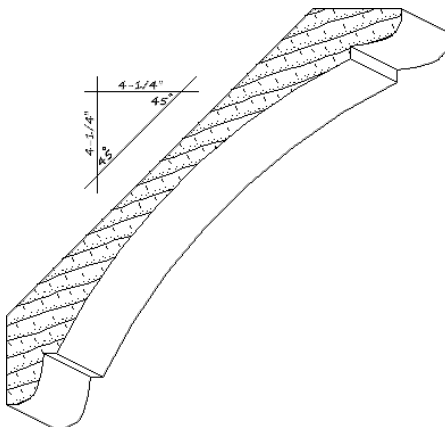
IH-654
1-1/2 x 6
crown_moulding



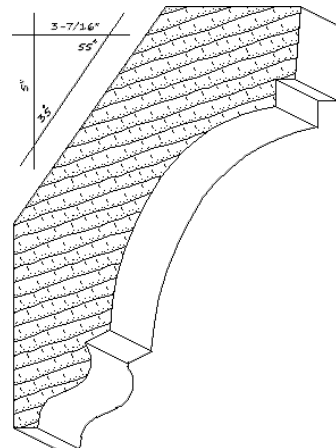
IH-674
3/4 x 6
crown_moulding



IH-676
3/4 x 6
crown_moulding



IH-1635
13/16 x 6
crown_moulding



IH-1629
1-3/4 x 6-1/16
crown_moulding

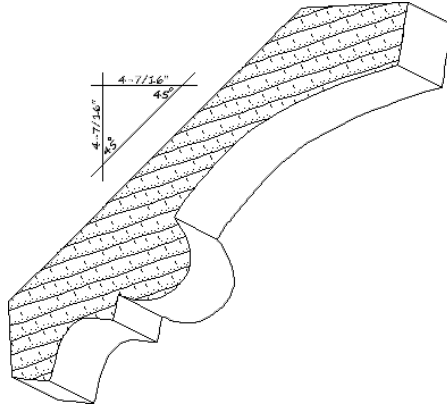


INTEGRITY
ARCHITECTURAL
MILLWORK, INC.

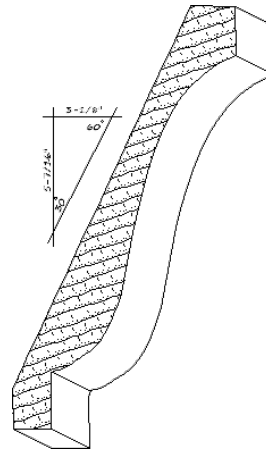
Quality Architectural
Wood Products

2503 Taylor Street
Omaha, NE 68111

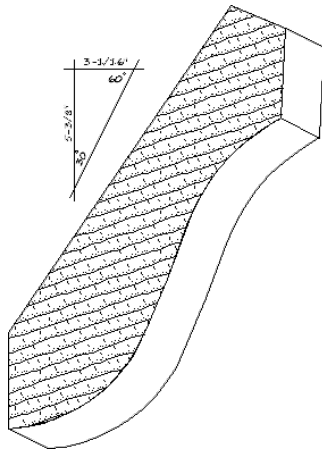
(402) 451-4110



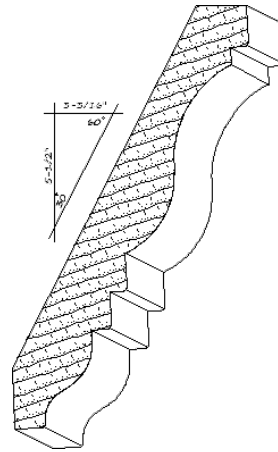
IH-651
1-1/4 x 6-1/4
crown_moulding



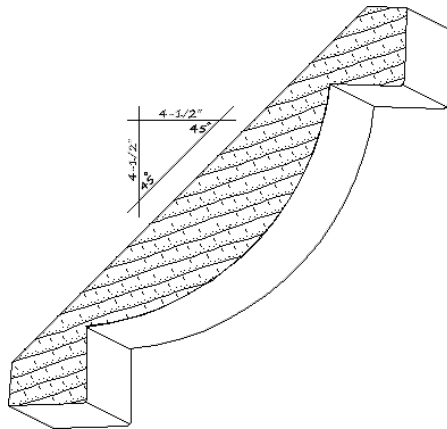
IH-665
13/16 x 6-1/4
crown_moulding



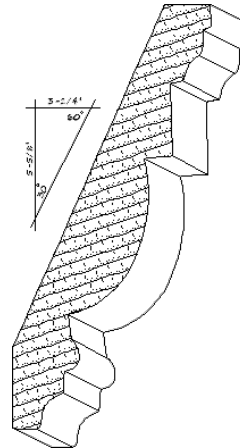
IH-1613
1-1/2 x 6-5/16
crown_moulding



IH-634
15/16 x 6-3/8
crown_moulding



IH-680
1 x 6-3/8
crown_moulding



IH-607
1-1/16 x 6-1/2
crown_moulding

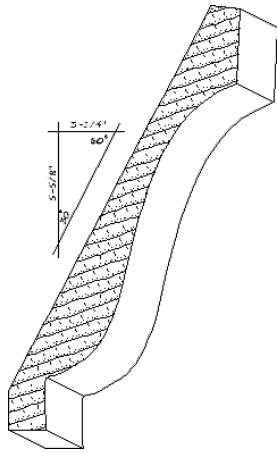


INTEGRITY
ARCHITECTURAL
MILLWORK, INC.

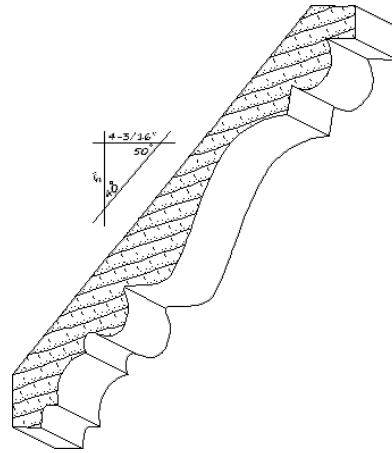
Quality Architectural
Wood Products

2503 Taylor Street
Omaha, NE 68111

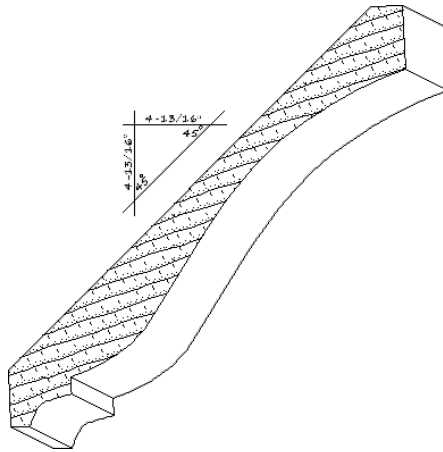
(402) 451-4110



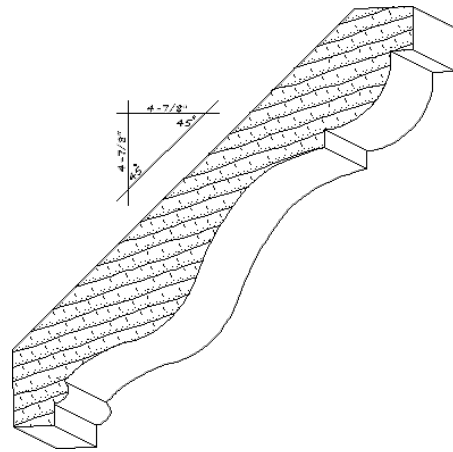
IH-678
13/16 x 6-1/2
crown_moulding



IH-679
3/4 x 6-1/2
crown_moulding



IH-602
13/16 x 6-13/16
crown_moulding



IH-670
1-1/16 x 6-7/8
crown_moulding



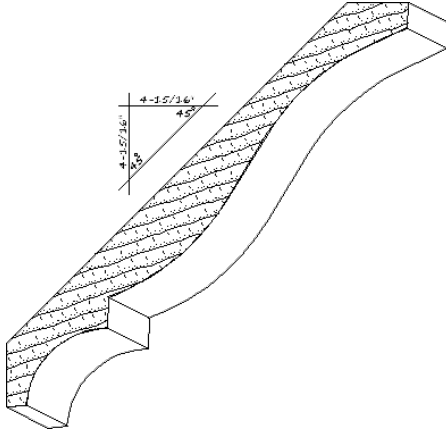
INTEGRITY
ARCHITECTURAL
MILLWORK, INC.

Quality Architectural
Wood Products

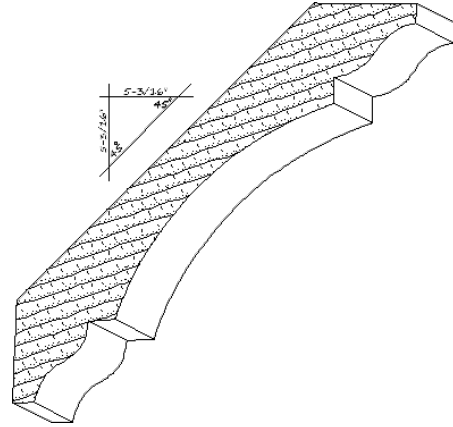
2503 Taylor Street
Omaha, NE 68111

(402) 451-4110

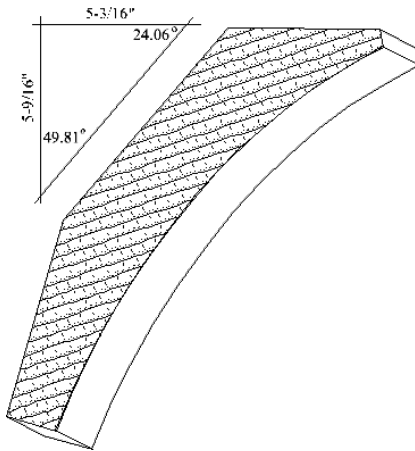
7+'' Crown Moulding



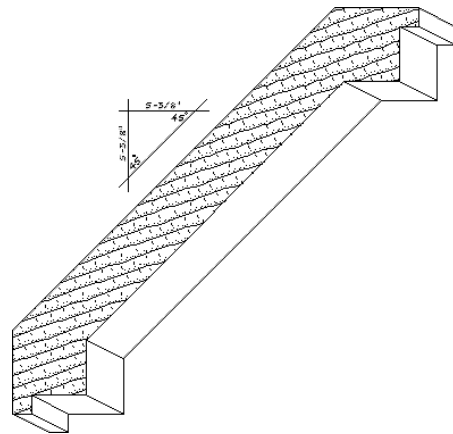
IH-1611
3/4 x 7
crown_moulding



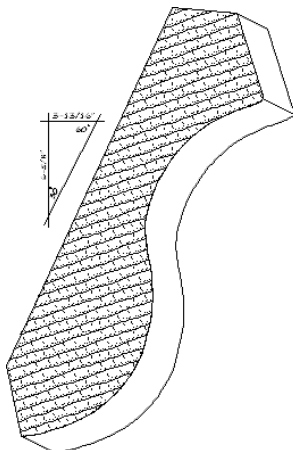
IH-694
1-1/8 x 7-3/8
crown_moulding



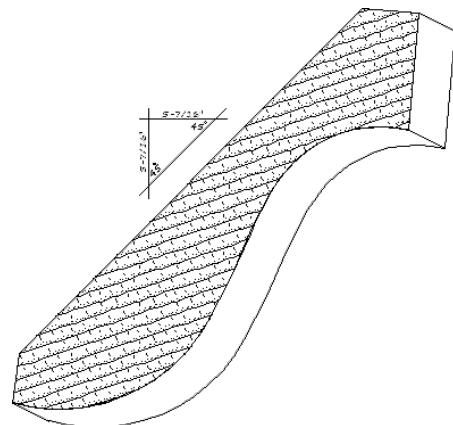
IH-1620
1-13/16 x 7-7/16
crown_moulding



IH-1606
1-5/16 x 7-9/16
crown_moulding



IH-671
1-15/16 x 7-5/8
crown_moulding



IH-1608
1-5/8 x 7-11/16
crown_moulding

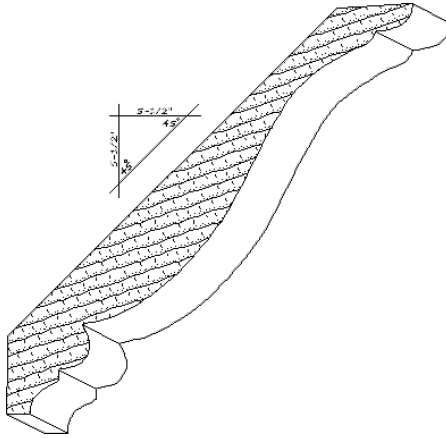


INTEGRITY
ARCHITECTURAL
MILLWORK, INC.

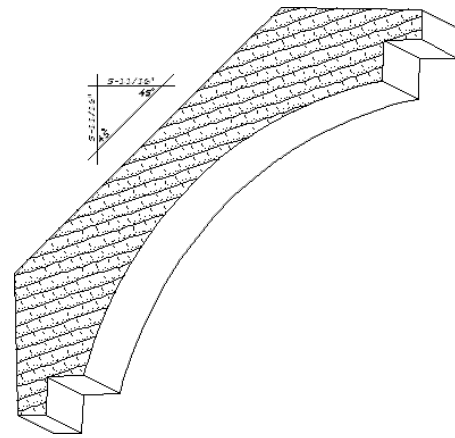
Quality Architectural
Wood Products

2503 Taylor Street
Omaha, NE 68111

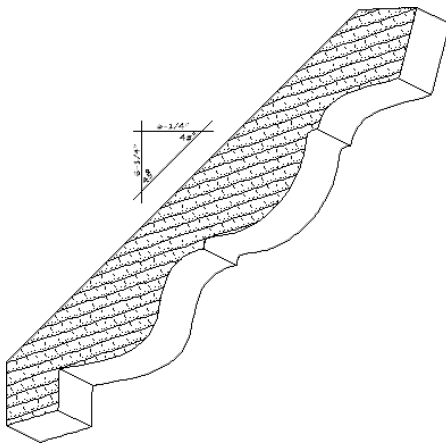
(402) 451-4110



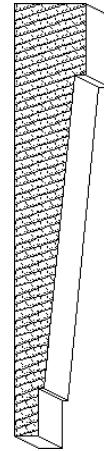
IH-689
1 x 7-3/4
crown_moulding



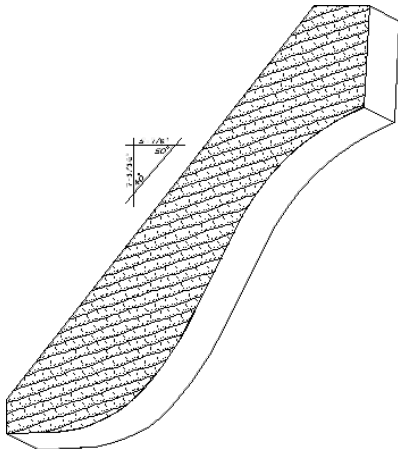
IH-604
1-3/4 x 8
crown_moulding



IH-611
1-1/4 x 8-7/8
crown_moulding



IH-1641
1-1/2 x 9
crown_moulding



IH-1614
1-11/16 x 9-3/16
crown_moulding

Crown Moulding in the Size, Profile and Species You Need

To discuss your project needs, please call us at (402) 451-4110 or [contact us online](#).



INTEGRITY
ARCHITECTURAL
MILLWORK, INC.

Quality Architectural
Wood Products

2503 Taylor Street
Omaha, NE 68111

(402) 451-4110

Product images are generally to scale but are not shown at actual size.
